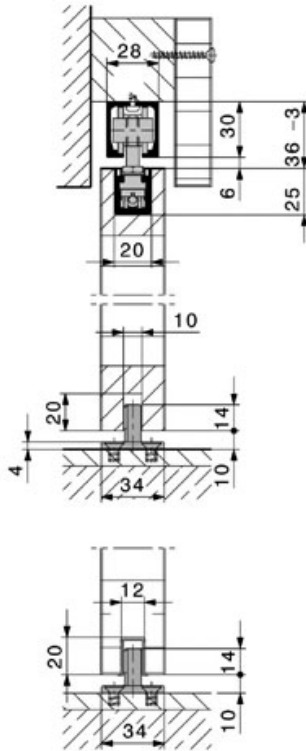


# GARNITURE JUNIOR 40B / 40B POCKET

HAWA



<https://www.qama.fr/garniture-junior-40b-p8435>



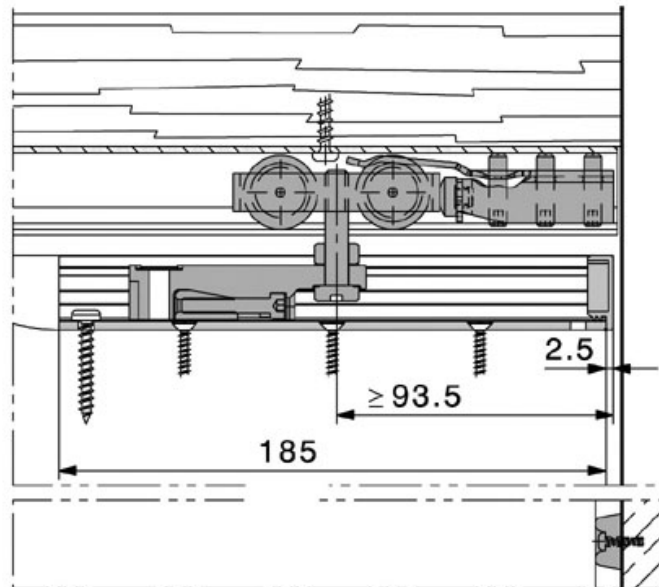
Tel : 02 43 13 49 49

Fax : 02 43 30 26 16

[www.qama.fr](http://www.qama.fr)

# GARNITURE JUNIOR 40B / 40B POCKET

HAWA



<https://www.qama.fr/garniture-junior-40b-p8435>