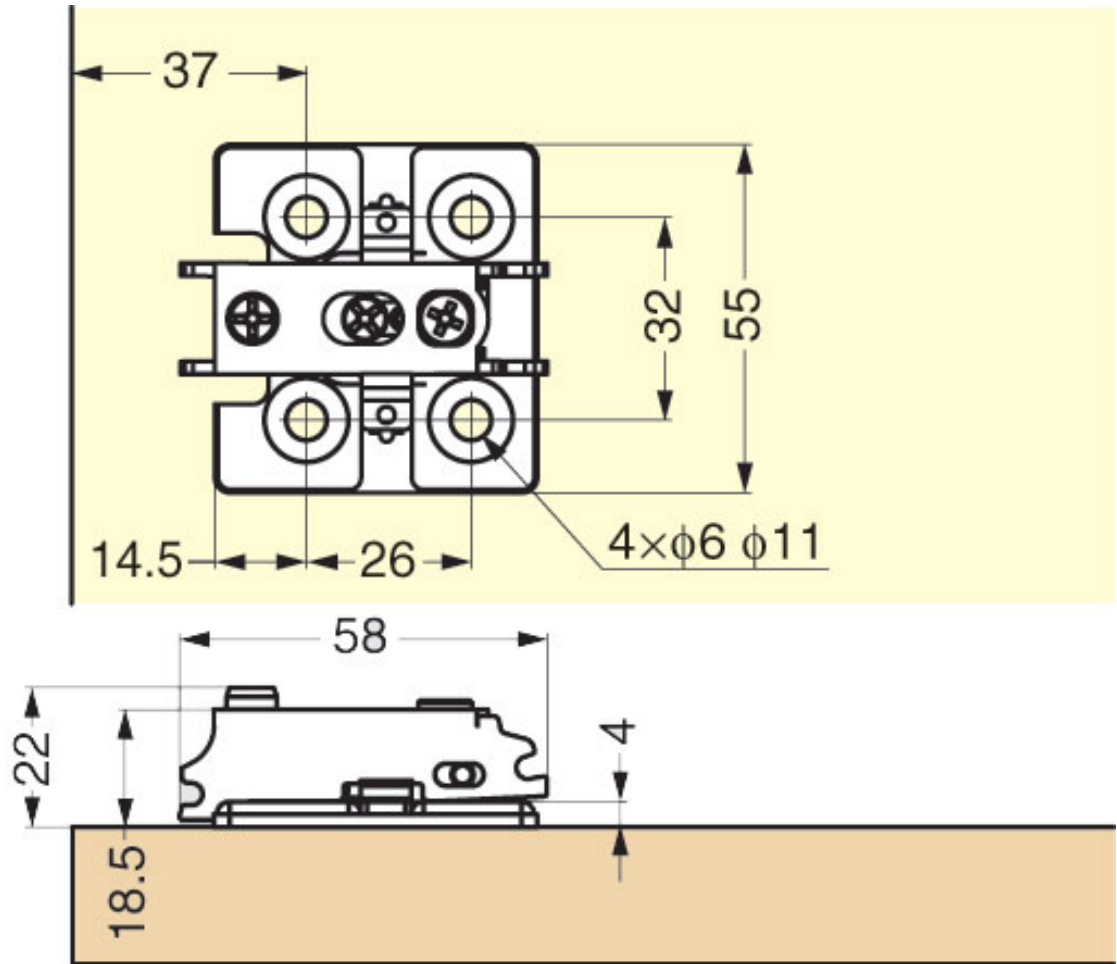


# EMBASE 3D PORTE LARGE

SUGATSUNE



<https://www.qama.fr/embase-3d-porte-large-p59905>



Tel : 02 43 13 49 49

Fax : 02 43 30 26 16

[www.qama.fr](http://www.qama.fr)