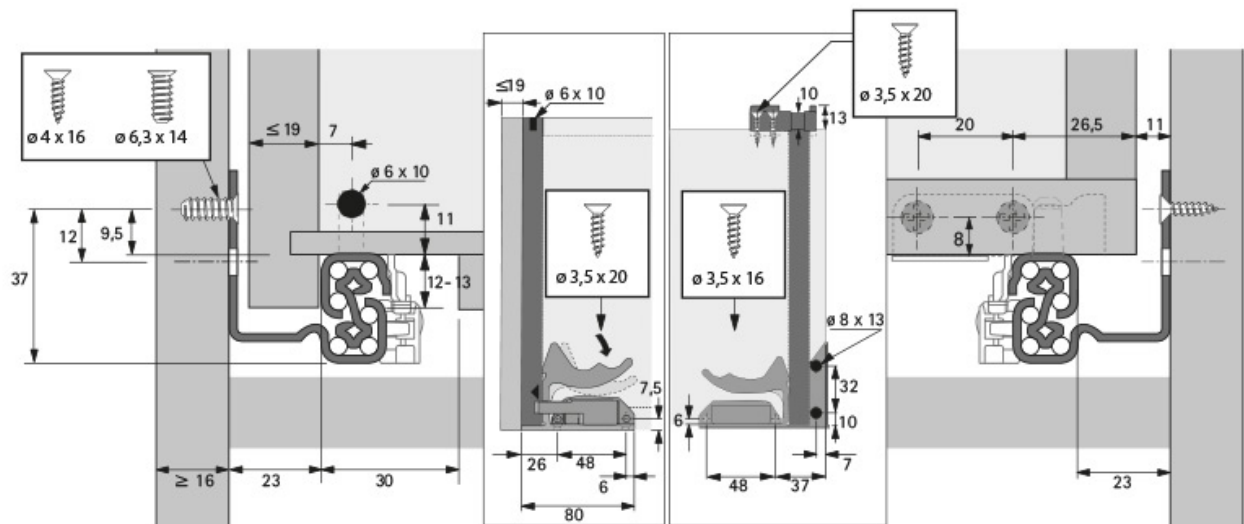


COULISSE BOIS QUADRO V6 PUSH TO OPEN EB23

HETTICH



<https://www.qama.fr/coulisse-bois-quadro-v6-push-to-open-eb23-p63587>



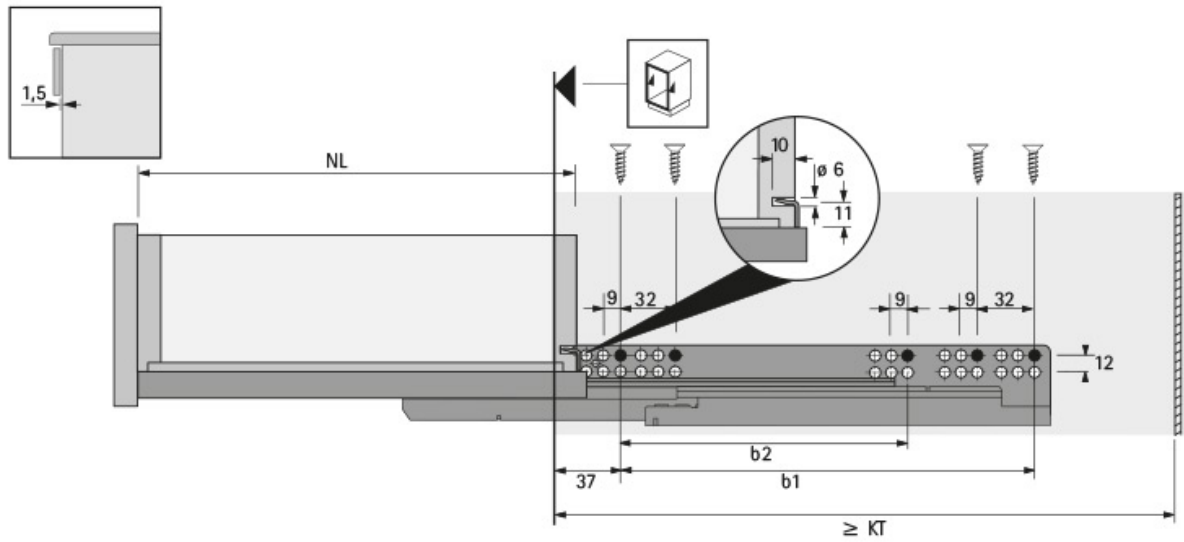
Tel : 02 43 13 49 49

Fax : 02 43 30 26 16

www.qama.fr

COULISSE BOIS QUADRO V6 PUSH TO OPEN EB23

HETTICH



<https://www.qama.fr/coulisse-bois-quadro-v6-push-to-open-eb23-p63587>



Tel : 02 43 13 49 49

Fax : 02 43 30 26 16

www.qama.fr