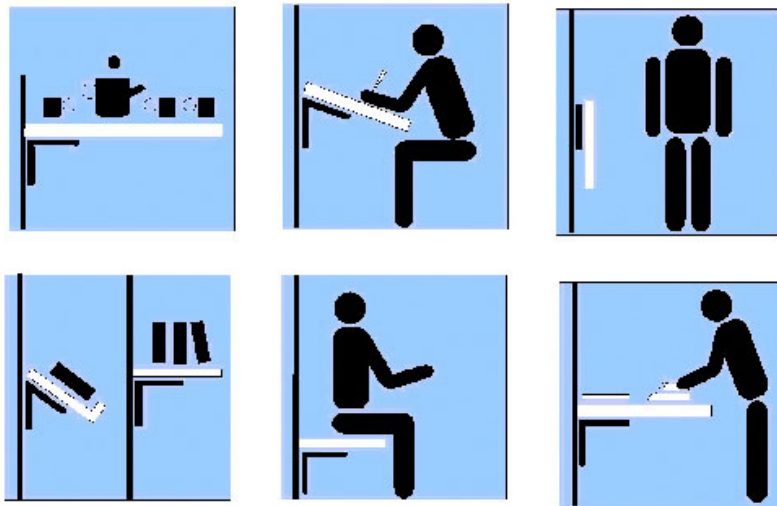


# CONSOLE PLIABLE

ITAR



<http://www.qama.fr/console-pliable-p2209>



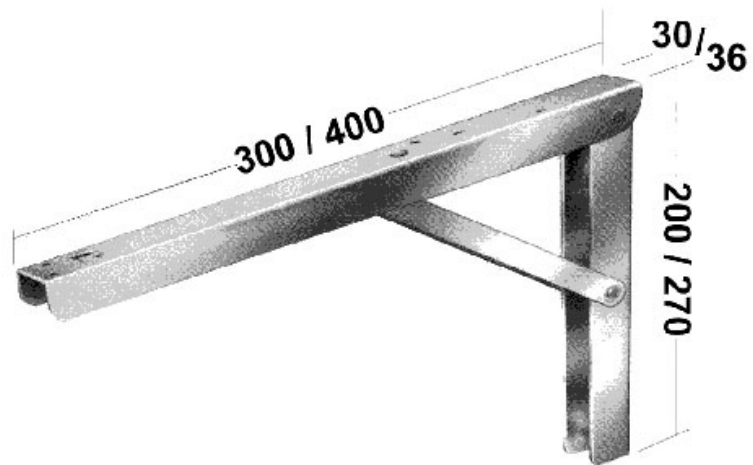
Tel : 02 43 13 49 49

Fax : 02 43 30 26 16

[www.qama.fr](http://www.qama.fr)

# CONSOLE PLIABLE

ITAR



<http://www.qama.fr/console-pliable-p2209>



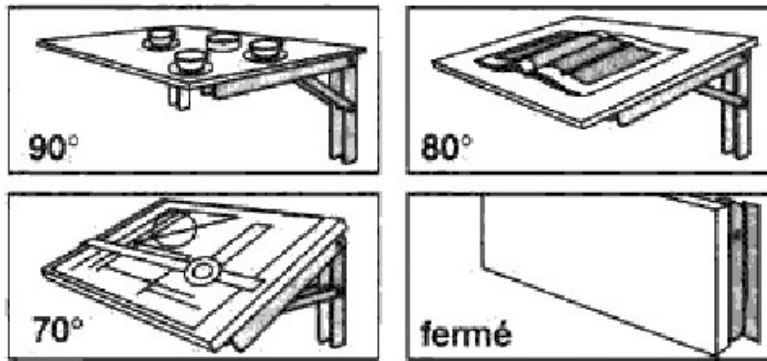
Tel : 02 43 13 49 49

Fax : 02 43 30 26 16

[www.qama.fr](http://www.qama.fr)

# CONSOLE PLIABLE

ITAR



<http://www.qama.fr/console-plierable-p2209>



Tel : 02 43 13 49 49

Fax : 02 43 30 26 16

[www.qama.fr](http://www.qama.fr)