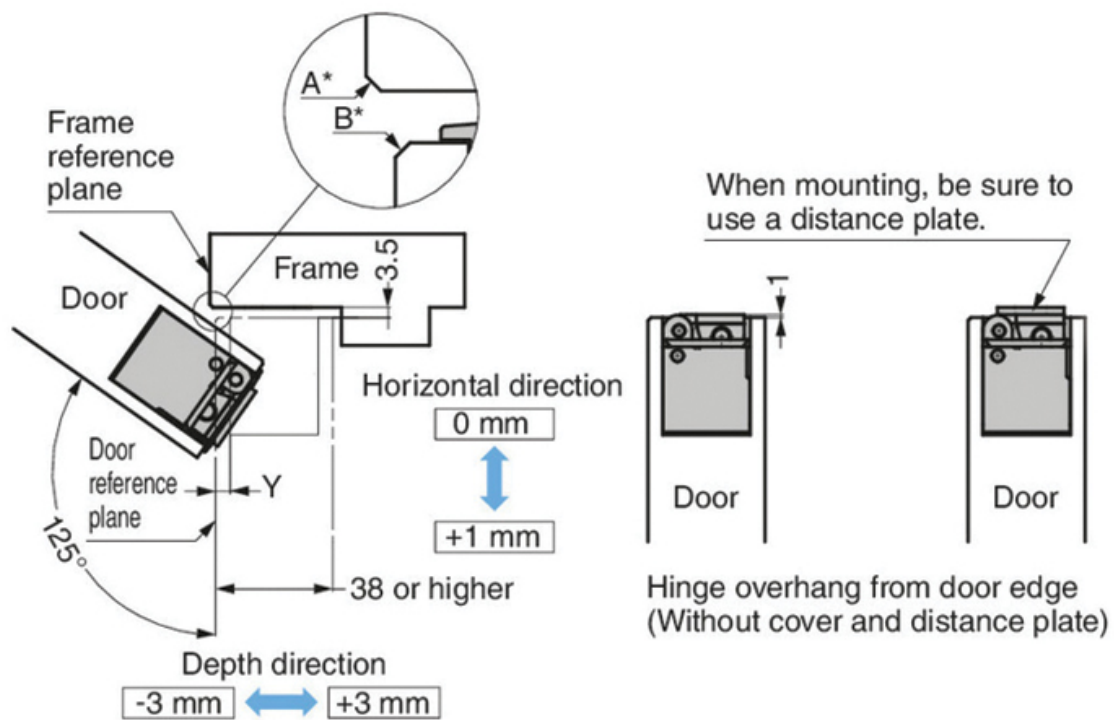


CHARNIÈRE INVISIBLE

SUGATSUNE



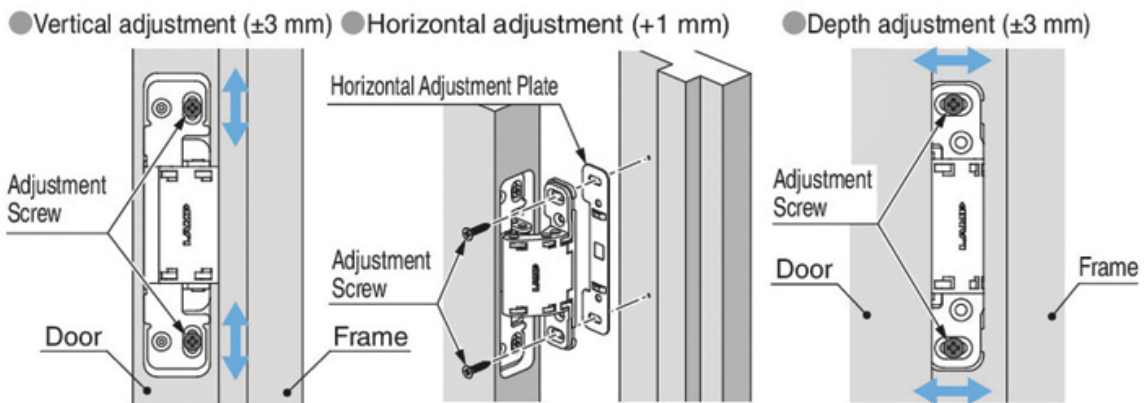
<https://www.qama.fr/charniere-invisible-p69649>



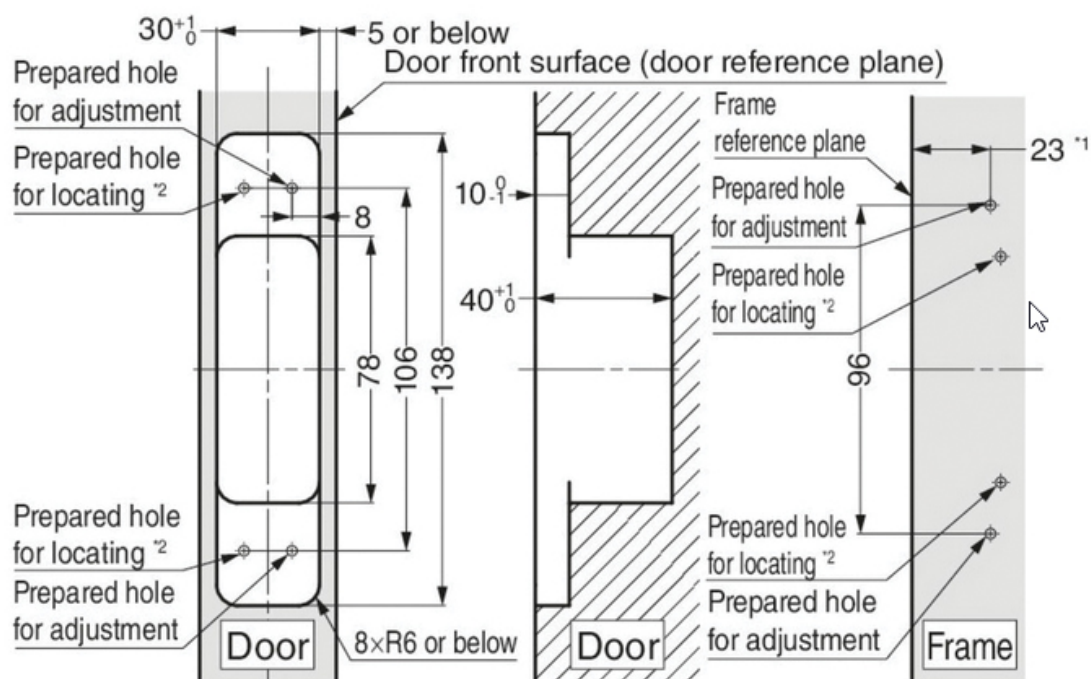
Tel : 02 43 13 49 49

Fax : 02 43 30 26 16

www.qama.fr



<https://www.qama.fr/charniere-invisible-p69649>



¹When door machining margin is 5 mm.

²The position of prepared hole for locating changes according to adjustment.